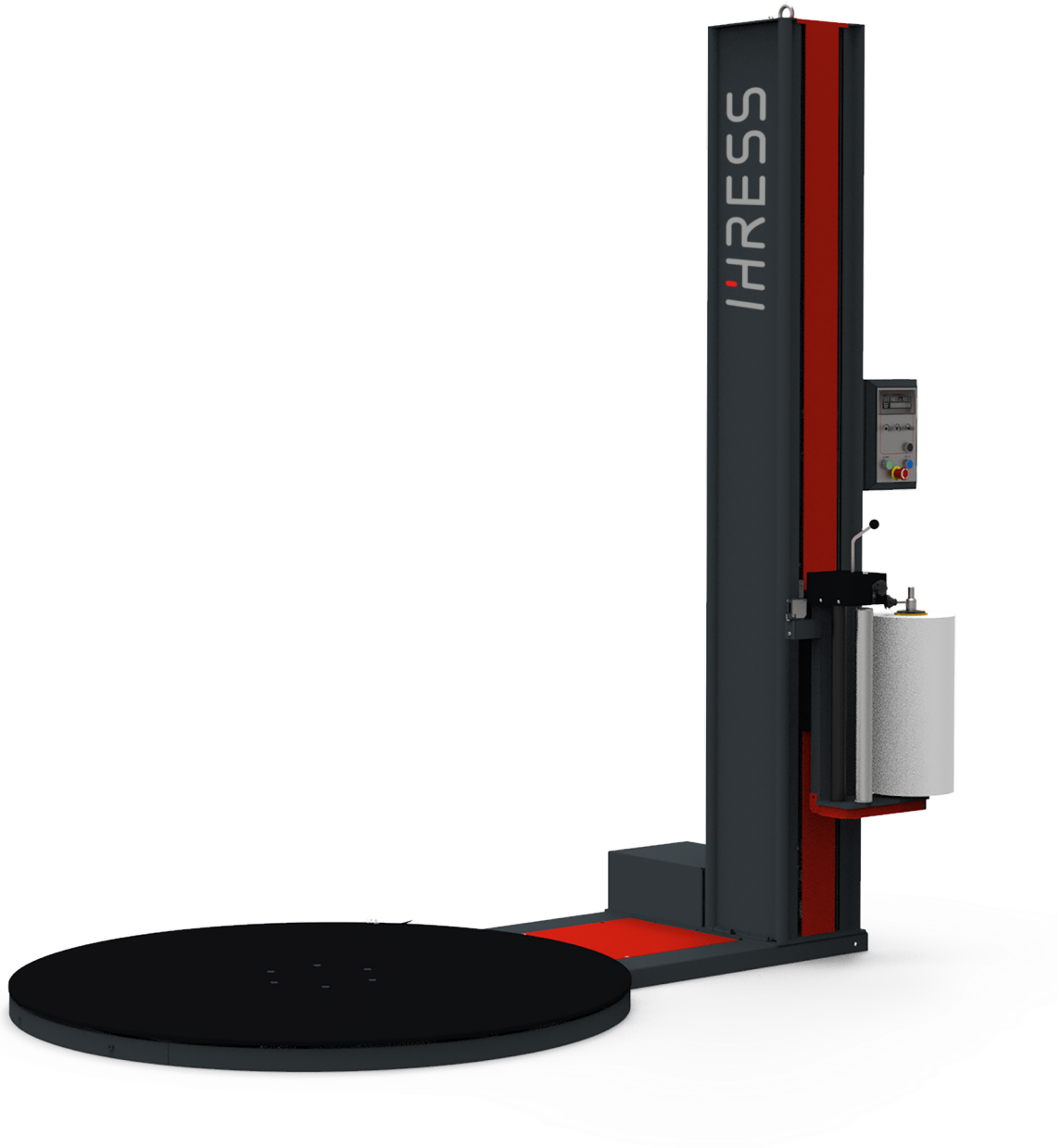


# IHRESS

PREMIUM PACKAGING MACHINERY



## i200

***Semiautomatic turntable wrapper***



Pol. Ind. La Serra  
C. Camí de la caseta, 3-A | 08185 Lliçà de Vall (BARCELONA)  
+34 936 555 600 | [ihress.com](http://ihress.com) | [info@ihress.com](mailto:info@ihress.com)

## TECHNICAL CHARACTERISTICS OF THE STANDARD MACHINE

- Folding column.
- Powered film carriage with variable speed, placed sidewise.
- Adjustable mechanical film brake with foot trapping detector.
- Automatic load height detection by photocell.
- Turntable dimensions: Ø1.650 mm, 10 mm thick plate.
- Soft start/stop by SCHNEIDER frequency inverter with return to start position.
- 4 wrapping programs: Single / Cross-wrap/ Cross-plus / Full.
- Wrapping cycles counter.
- Independently adjustable top & bottom reinforcement wraps.
- PLC controlled and HMI color touch panel.
- Independent ascent and descend carriage speed for film saving.
- Reinforcement wraps at any point in the cycle.
- Ergonomically designed control.
- Variable production depending on the operator and the characteristics of the load.



HMI



Dashboard

### FMA Carriage



Adjustable mechanical film brake with foot trapping safety

### Pre-stretch Carriage



Pre-stretch carriage with a standard stretch ratio of 250% (other ratios between 100 and 400% available on request)

## OPTIONAL

### Scale with display



Reinforced chassis with integrated weighing scale, with 6 weight cells and display

### Platforms



Other diameters: Ø2.000mm, Ø2.400mm, Ø3.000mm, ...  
Loads up to 3.000 Kg.

### Special environments



Explosives: ATEX  
Temperatures below 0°C

### STAINLESS STEEL

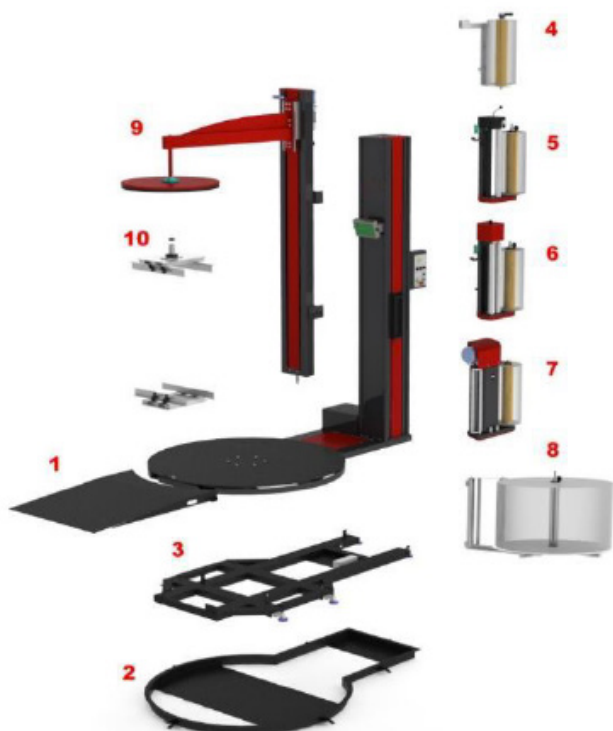


Machine made of stainless steel 304 for corrosive environments.

Technical features	Standard	Optional
Maximum height	Up to 2,400 mm	2,800 mm and specials
Turntable diameter	Ø 1.650 mm	Ø 2.000 mm Ø 2.400 mm Ø 3.000 mm
Maximum pallet dimensions up to	1.200 x 1.100 mm	Consult us
Maximum weight	2.000 Kg.	3.000 Kg.
Electrical power	220 - 240 V 50 / 60 Hz	220 - 240 V 50 / 60 Hz
Installed power	1 Kw	1 Kw
Film carriage	FMA	PEM
Stop in position	Standard	Standard
Start / Stop frequency inverter	Standard	Standard
Load height detection by photocell	Standard	Standard
PLC with display	Standard	Standard

## OPTIONS AND ACCESSORIES

1. Turntable accessing ramp
2. Embedding frame
3. Scale with display
4. Direct film brake
5. Mechanical film brake (standard)
6. Electromagnetic brake
7. Powered pre-stretch film 250%
8. Twin film holder
9. Powered top platen
10. Powered top platen for flat loads



## SPECIAL CUSTOMIZATION ON DEMAND

- Ultrasonic detector for black loads
- Stainless steel 304
- ATEX explosive environments
- Environments up to -30°C
- Special heights
- Special platforms
- Ramps and hoists for cargo loading with stackers
- Different pre-stretch ratios 150%, 200%, 300% or 400%
- Carriages for 750 mm or 1.000 mm height film
- PLC extended up to 10 programs



**STANDARD MACHINE LAYOUT**

